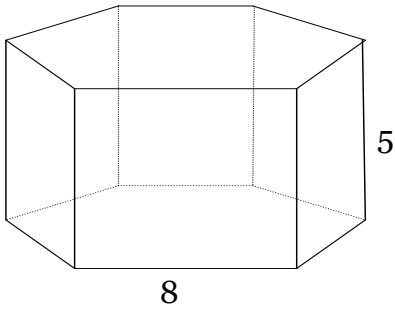


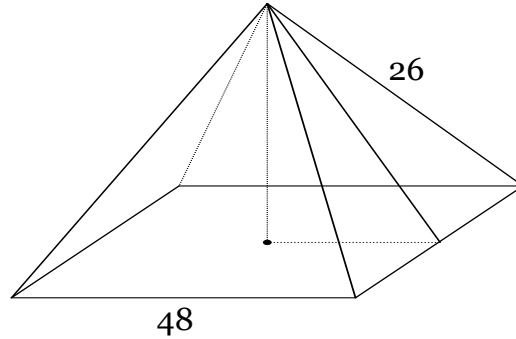
Find the lateral surface area and total surface area of each solid. Show work!

1. Right regular hexagonal prism.

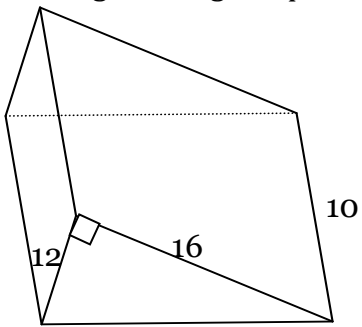


2. Square pyramid

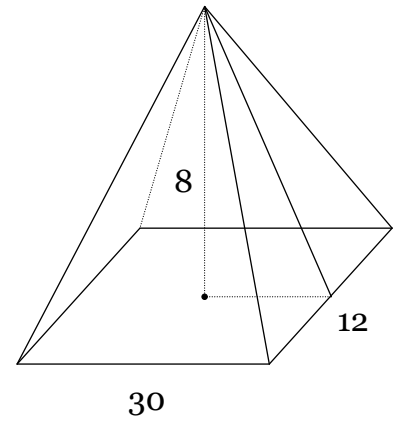
Base edge = 48 and lateral edge = 26.



3. Right triangular prism.

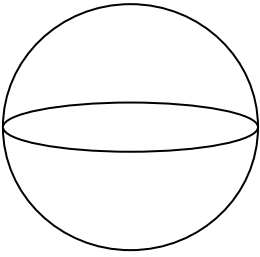


4. Rectangular pyramid

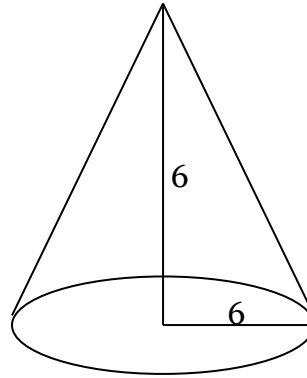


5. What is the difference between a prism and a pyramid?

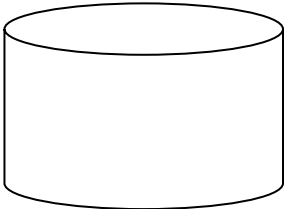
6. Sphere with radius = 12.



7. Cone. Radius = 6, altitude = 6



8. Cylinder. Diameter = 14, height = 5.



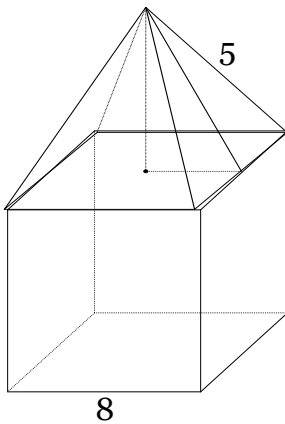
9. Complete the analogy:

Cylinder is to prism as cone is to

_____.

10. Find the total surface area of the combined shapes. (*Hint: Do not include any faces that would be inside the shape.*)

a) Square pyramid on top of cube



b) Hemisphere on top of cone.

